

HIGH-PERFORMANCE
MODEL

WUN234GU

Capacity: 23kg Weight: 660kg

WUN294GU

Capacity: 28kg Weight: 850kg

WUN434GU

Capacity: 43kg Weight: 1340kg



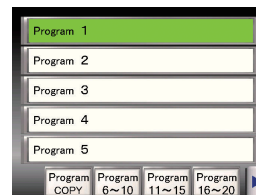
- Excellent cleaning quality
- Easy-to-clean drain valve
- Automatic cleaning program
- Reduction of initial costs
- 10 water level settings
- Highly durable shock absorbers and springs

The touch panel with a high-brightness monitor provides excellent operability.

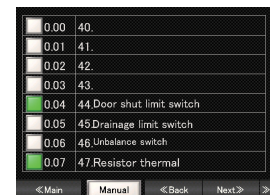
Detailed settings for each course allow for precise cleaning

- 100 different courses can be set
- Course name and comments can be registered
- A total of 14 processes (13 washing and spin-drying) can be set for each course.
- Conditions (water level, rotation speed, rotation operation time, etc.) can be set for each process
- Process details are always displayed during operation

Course selection screen



IO monitor screen



Delicate movement adjustment is possible.

Drum rotation speed can be controlled in 1 rpm increments, and drum rotation time can be controlled in 1-second increments.

The optimum amount of water can be selected

The water level can be set in 10 stages. The optimum water volume can be set according to the number of items, which reduces running costs (water, detergent, fuel).

OPTION

■ Fallout prevention apron

When taking clothes in and out of the machine, it prevents them from falling into the gaps between the laundry and prevents them from getting lost.

■ Hot water solenoid valve

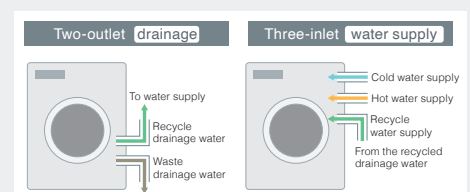
A water hammer reduction type that reduces vibrations that occur when the water flow is stopped

■ Two drains & three inlets

A system is used that reuses wastewater. Two-drain system separates dirty drainage and recycled drainage, which is used for cleaning purposes by three inlets. Therefore, the water supply amount used for cleaning can be significantly reduced.

■ Selectable opening/closing door direction

The direction of the door to be opened or closed can be preselected at the time of order, according to the room layout.

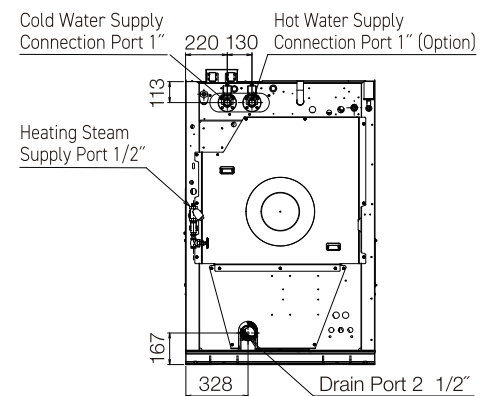
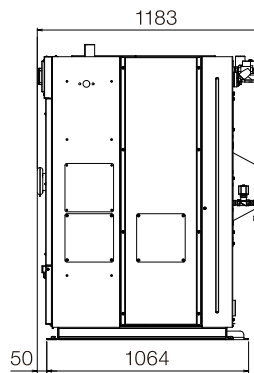
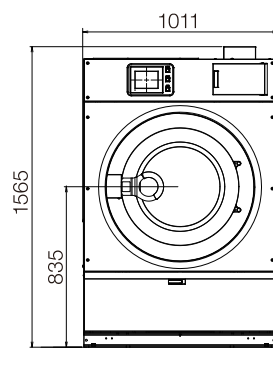


SPECIFICATION

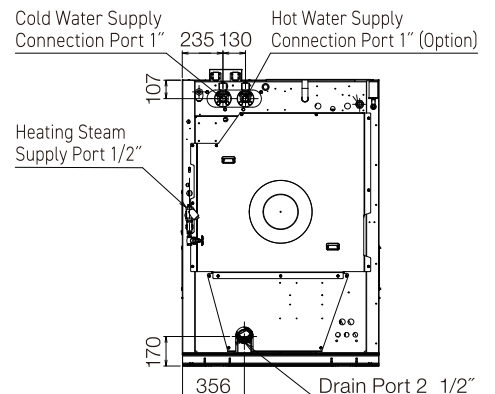
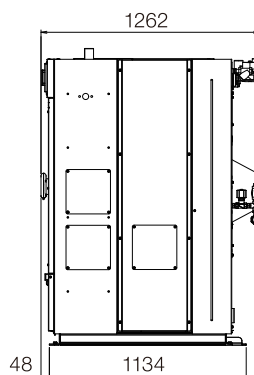
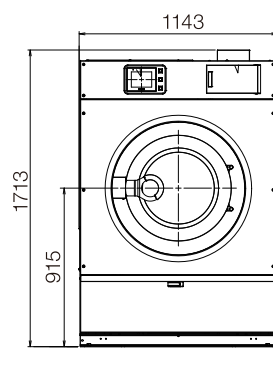
	WUN234GU	WUN294GU	WUN434GU
Capacity	23kg	28kg	43kg
Drum	Diameter 762 / Depth 486	Diameter 890 / Depth 461	Diameter 965 / Depth 592
A speed(Wash)	20-50 min ⁻¹		
Speed(Extract)	880 min ⁻¹ (330G)	800 min ⁻¹ (318G)	750 min ⁻¹ (303G)
Volts	3P4W, AC380-415V, 50-60Hz		
Minimum Supply-Circuit Conductor Ampacity	15A		20A
Motor	3.7kW 4P	5.5kW 4P	7.5kW 4P
Cold Water Supply	1"		1 1/4"
Hot Water Supply(Optional)	1"		1 1/4"
Water Drain	2 1/2"		3"
Steam/Steam Drain	1/2" 3/8"		3/4" 3/8"
Water level	10-step water level : 23-164L	10-step water level : 26-199L	10-step water level : 51-283L
Machine Size	Width1011/ Depth1183/ Height 1565	Width1043/ Depth1262/ Height 1713	Width1243/ Depth1460/ Height 1823
Weight of empty machine	660kg	850kg	1340kg

EXTERNAL VIEW

WUN234GU



WUN294GU



WUN434GU

