

WASHER EXTRACTOR Forever machine

WUN SERIES Steam or Electric Heat model

634AU
[CAPACITY] **63kg**

434AU
[CAPACITY] **43kg**

294AU
[CAPACITY] **29kg**

234AU
[CAPACITY] **22kg**

134AU
[CAPACITY] **13kg**

We manufacture 97% of the components necessary for assembly in our factories in order to realize production of high-quality and high-durability products.

We strictly control in-house manufacturing even if it means making one small part at a time in order to provide products that are robust and deliver high performance.

In addition, our production methods deliver a permanent stable supply of components.



WUN 634AU [CAPACITY] 63kg

G force up to 330G and rotating speed up to 720rpm allowing for total control of moisture removal while being gentle on the linen.

Robust Door Hinges, Door & the Locking assembly for longevity.

Typical quality from these dedicated engineers, easy opening and closing.

Apron as Standard Equipment

The machine includes an apron at the lower portion of the lid as standard equipment to prevent clothes from falling on the floor.



WUN 434AU
[CAPACITY] 43kg

WUN 294AU
[CAPACITY] 29kg

"High Anti-Vibration Specifications" allowing for high-speed extraction of those 'difficult' unbalanced loads.

Loads that cannot be extracted by conventional models due to difficulty in balancing can be processed and extracted to high speed with ease in the WUN Washer Extractors. These machines are suited for Industrial & Commercial Laundries processing special bulky items like mats.

WUN 234AU
[CAPACITY] 22kg

WUN 134AU
[CAPACITY] 13kg

Yamamoto engineers have adopted a unique mounting system that they developed from years of dedicated research to reduce noise and vibration during washing and extraction. This is the System that has made Yamamoto equipment the FOREVER machines.

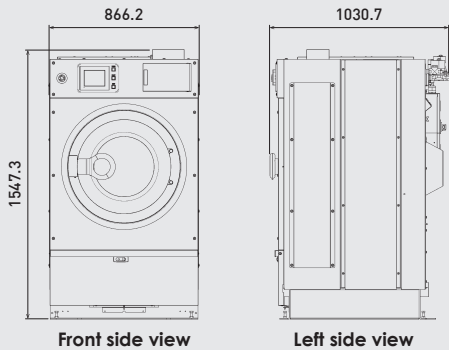
SPECIFICATION

WASHER EXTRACTOR WUN SERIES

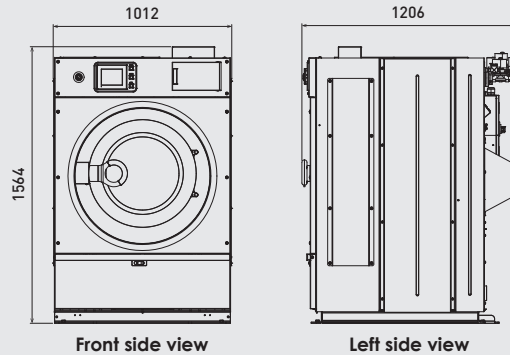
MODEL		WUN134AU	WUN234AU	WUN294AU	WUN434AU	WUN634AU
Max capacity		13kg	22kg	29kg	43kg	63kg
Drum	Diameter	660mm	762mm	890mm	965mm	1,140mm
	Depth	357mm	486mm	461mm	592mm	620mm
Speed	Wash	20-50rpm	20-50rpm	20-50rpm	20-50rpm	20-50rpm
	Extract	100-880rpm	100-880rpm	100-800rpm	100-750rpm	100-720rpm
Power supply		AC415V 3-Phase 4-wire	AC415V 3-Phase 4-wire	415V 3-Phase 4-wire	415V 3-Phase 4-wire	415V 3-Phase 4-wire
Motor		2.2Kw 4P	4.0Kw 4P	5.5Kw 4P	7.5Kw 4P	15Kw 4P
Supply pressure	Water	0.1-0.3MPa	0.1-0.3MPa	0.1-0.3MPa	0.1-0.3MPa	0.1-0.3MPa
	Hot water	0.1-0.3MPa	0.1-0.3MPa	0.1-0.3MPa	0.1-0.3MPa	0.1-0.3MPa
	Steam (Option)					0.4-0.6MPa
Machine weight		500kg	660kg	850kg	1,340kg	2,100kg

DEMENSION

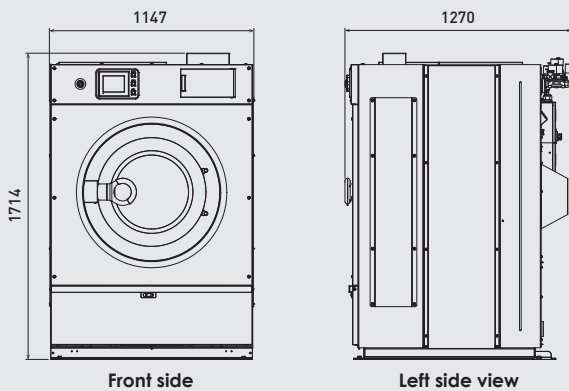
WUN134AU



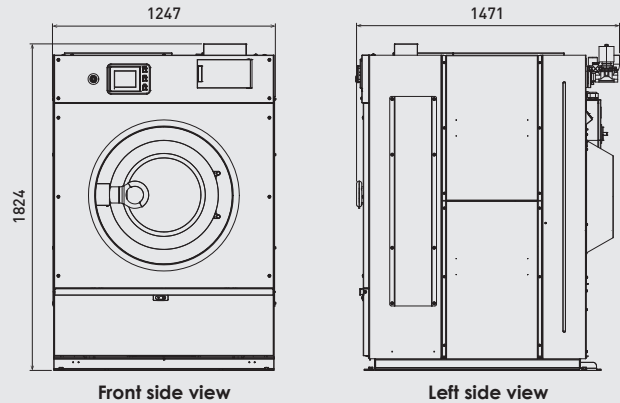
WUN234AU



WUN294AU



WUN434AU



WUN634AU

